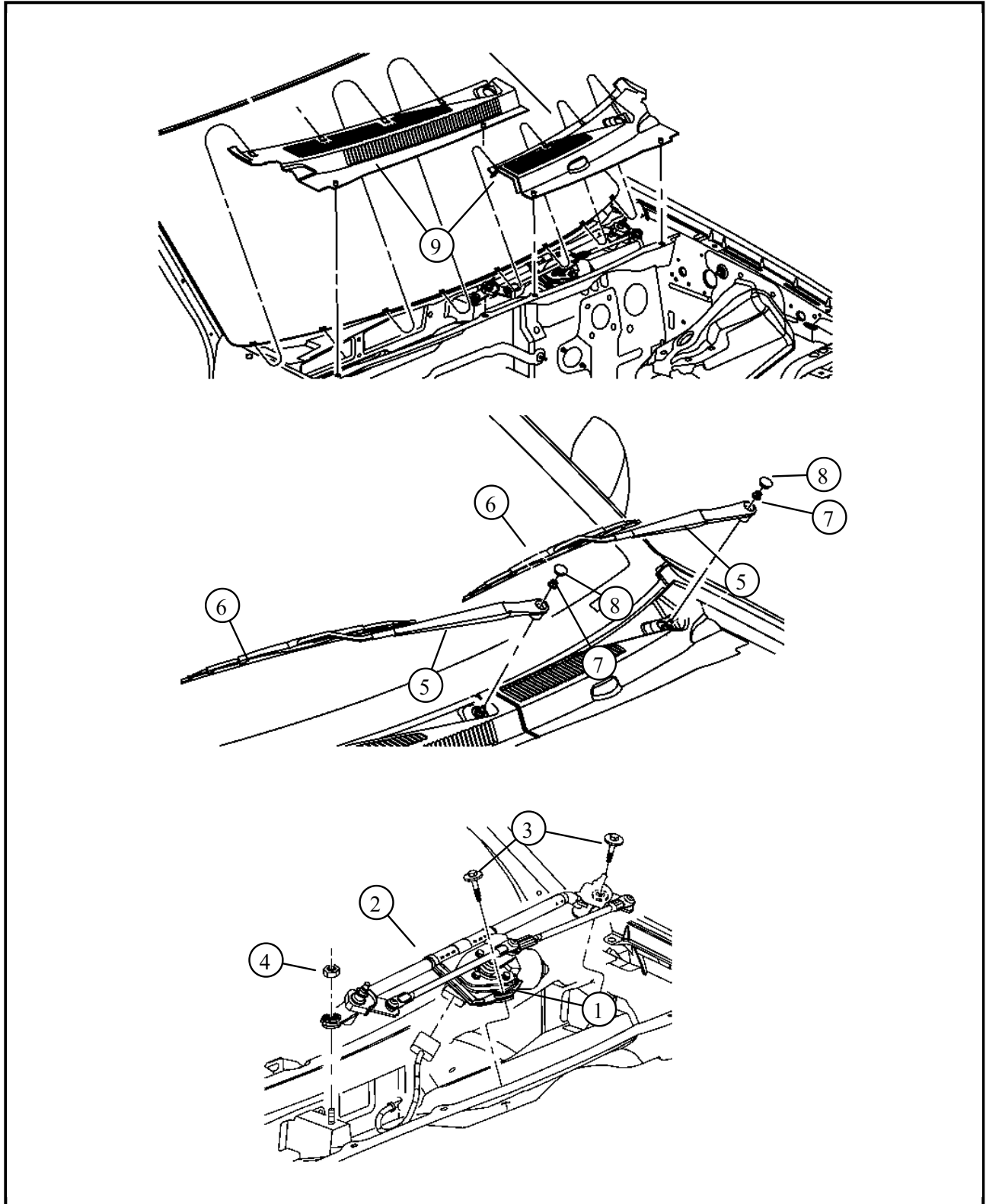



008 - Electrical/300 - Wiper and Washer System

DESCRIPTION



Item	Description	Part Number	Qty	Supersedece	Tech Tip	Engine	Trans	Line	Body
1	MOTOR KIT, Windshield Wiper								
		68040580AA	1	No					
	Export	68040584AA	1	No					
2	PIVOT AND LINKAGE, Wiper								
		68040581AA	1	No					
		68040585AA	1	No					
3	SCREW AND WASHER, Hex Head, M6X1.0X40.00								
4	NUT AND WASHER, Hex, M6X1.00								
5	ARM, Front Wiper								
	WIPER LEFT	05143533AA	1	No					
	WIPER RIGHT	05143534AA	1	No					
6	BLADE, Front Wiper								
	525 MM LONG	05139095AB	1	No					
	Mopar Alternative Flat Wiper Blade	WBF00022AA	1	No					
	Mopar V-Line Alternative Part	WB000022AE	1	No					
7	NUT AND WASHER, Hex Nut-Coned Washer, M8 x 1.25	06508578AA	2	No					
8	CAP, Wiper Arm Nut	04389440	2	No					
9	PANEL, Cowl Top								
	Right	55156852AF	1	Yes					
	PANEL	55156852AG	1	Yes					
	Left	55156853AF	1	Yes					

Item	Description	Part Number	Qty	Supersedence	Tech Tip	Engine	Trans	Line	Body
	PANEL	55156853AG	1	Yes					
	PANEL	55156853AH	1	Yes					

Note: The item number that is listed in negative(-) indicates there is no illustration available.