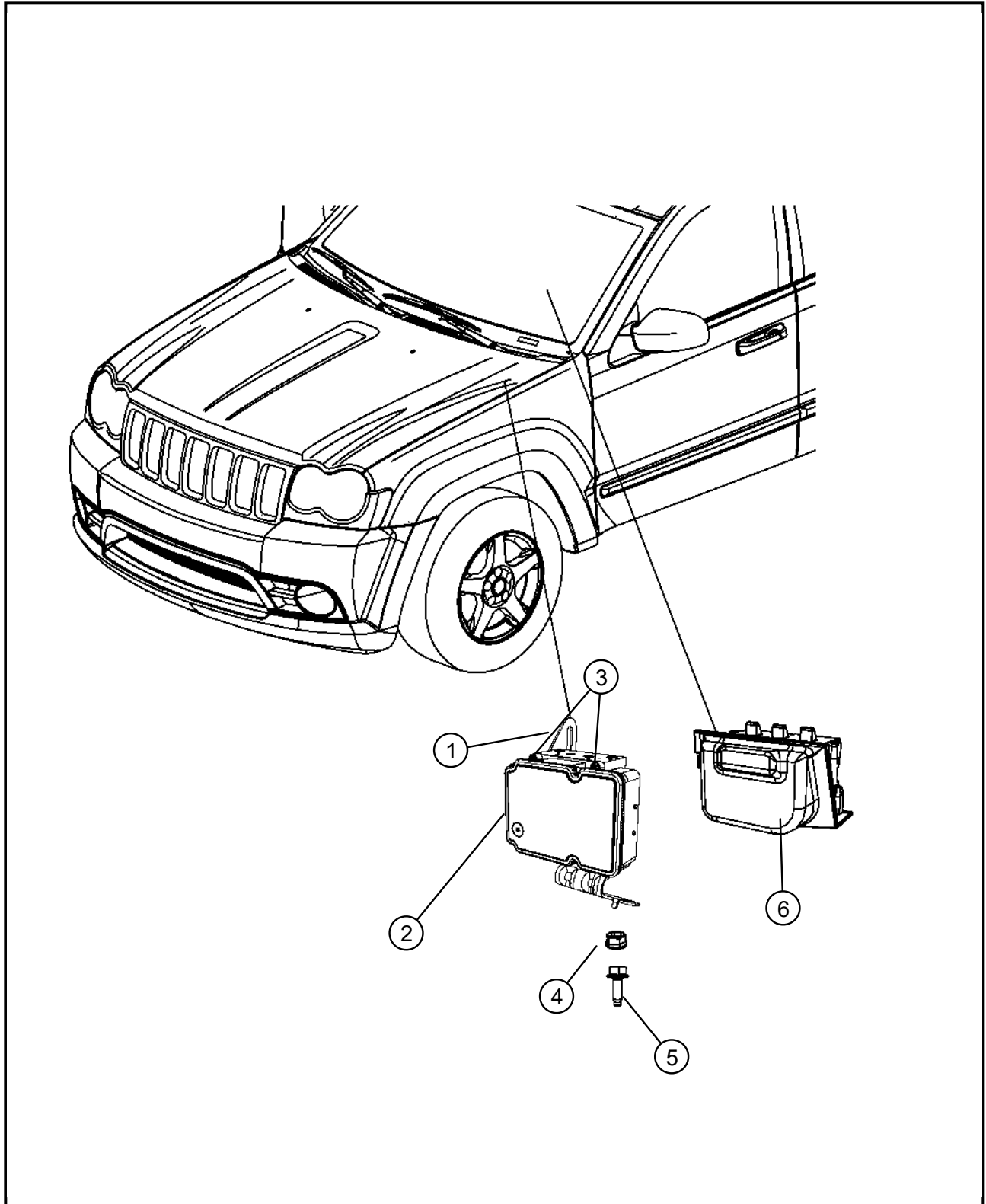


008 - Electrical/400 - Keys, Modules and Engine Controllers

DESCRIPTION



Item	Description	Part Number	Qty	Supersedence	Tech Tip	Engine	Trans	Line	Body
1	BRACKET, Hydraulic Control Unit	05179774AA	1	No					
2	CONTROL UNIT, Anti-Lock Brake	68037914AA	1	Yes					
	CONTROL UNIT	68037914AB	1	Yes					
3	SCREW, Hex Head	05191002AA	1	No					
4	NUT, Hex Flange, M8x1.25	34201711	1	No					
5	SCREW, Hex Flange Head, M8x1.25x25.00	06105049AA	1	No					
6	MODULE, SHAFT LOCK - STEERING COLUMN	05026132AC	1	No					

Note: The item number that is listed in negative(-) indicates there is no illustration available.