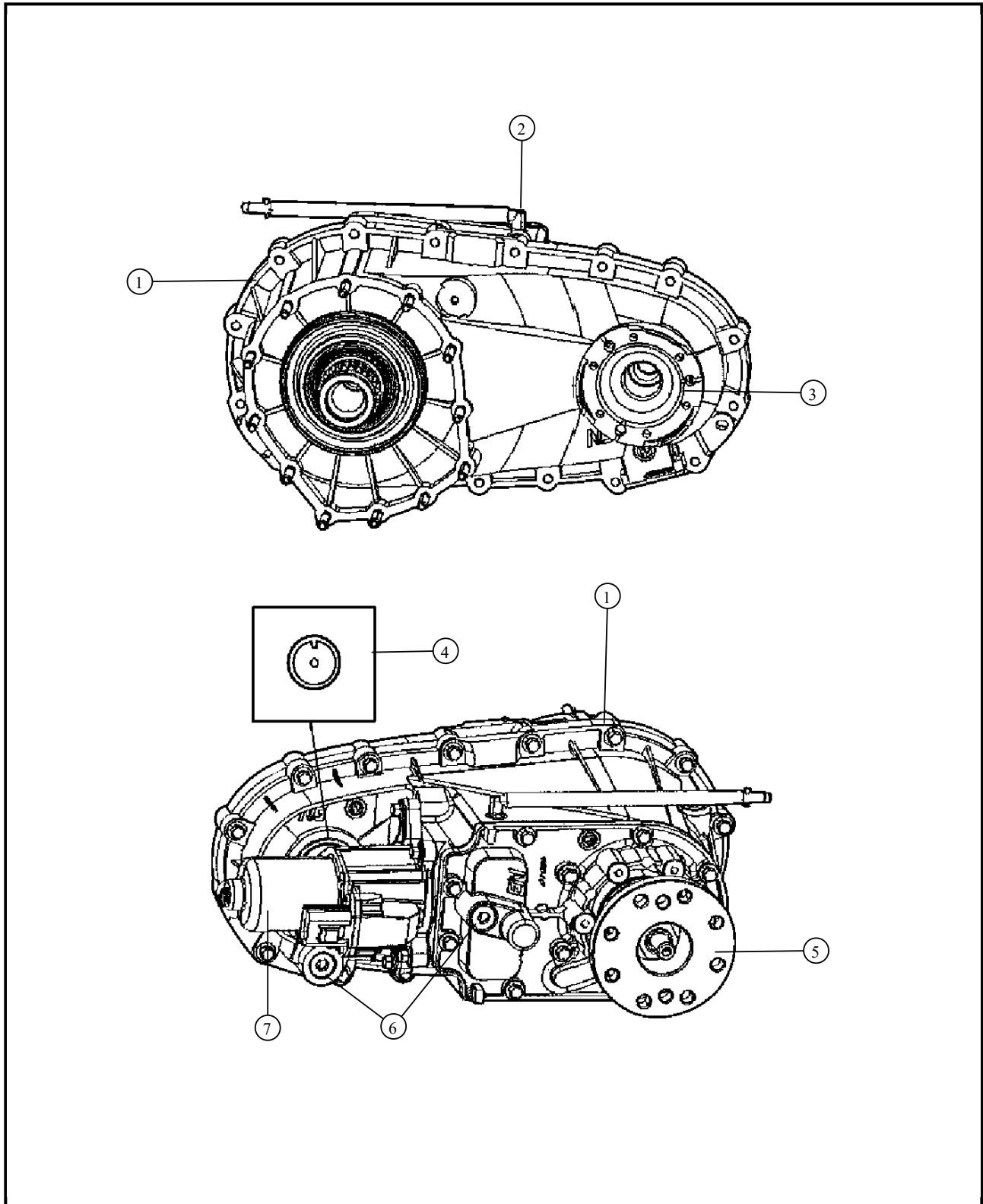



021DHX - NV245; Transfer Case/100 - Transfer Case Assembly

DESCRIPTION



Item	Description	Part Number	Qty	Supersedence	Tech Tip	Engine	Trans	Line	Body
1	TRANSFER CASE, NVG245	R2105904AD	1	Yes		EX0			
	TRANSFER CASE	R2105904AE	1	Yes					
	TRANSFER CASE	RL105904AD	1	Yes					
2	VENT, Transfer Case	68001633AA	1	Yes		EX0			
	VENT	68001633AB	1	Yes					
3	OUTPUT SHAFT, Transfer Case	05143716AA	1	No		EX0			
4	IDENTIFICATION TAG, SCREW ON								
5	FLANGE, Driveshaft Yoke	05143757AA	1	No		EX0			
6	PLUG, Oil Fill	68001627AA	1	No		EX0			
7	ACTUATOR, Transfer case	05143786AA	1	Yes		EX0			
	ACTUATOR KIT	68256976AA	1	Yes					
-8	LUBRICANT, Transfer Case, Quart	05016796AC	1	Yes		EX0			
	LUBRICANT	05016796AD	1	Yes					

Note: The item number that is listed in negative(-) indicates there is no illustration available.