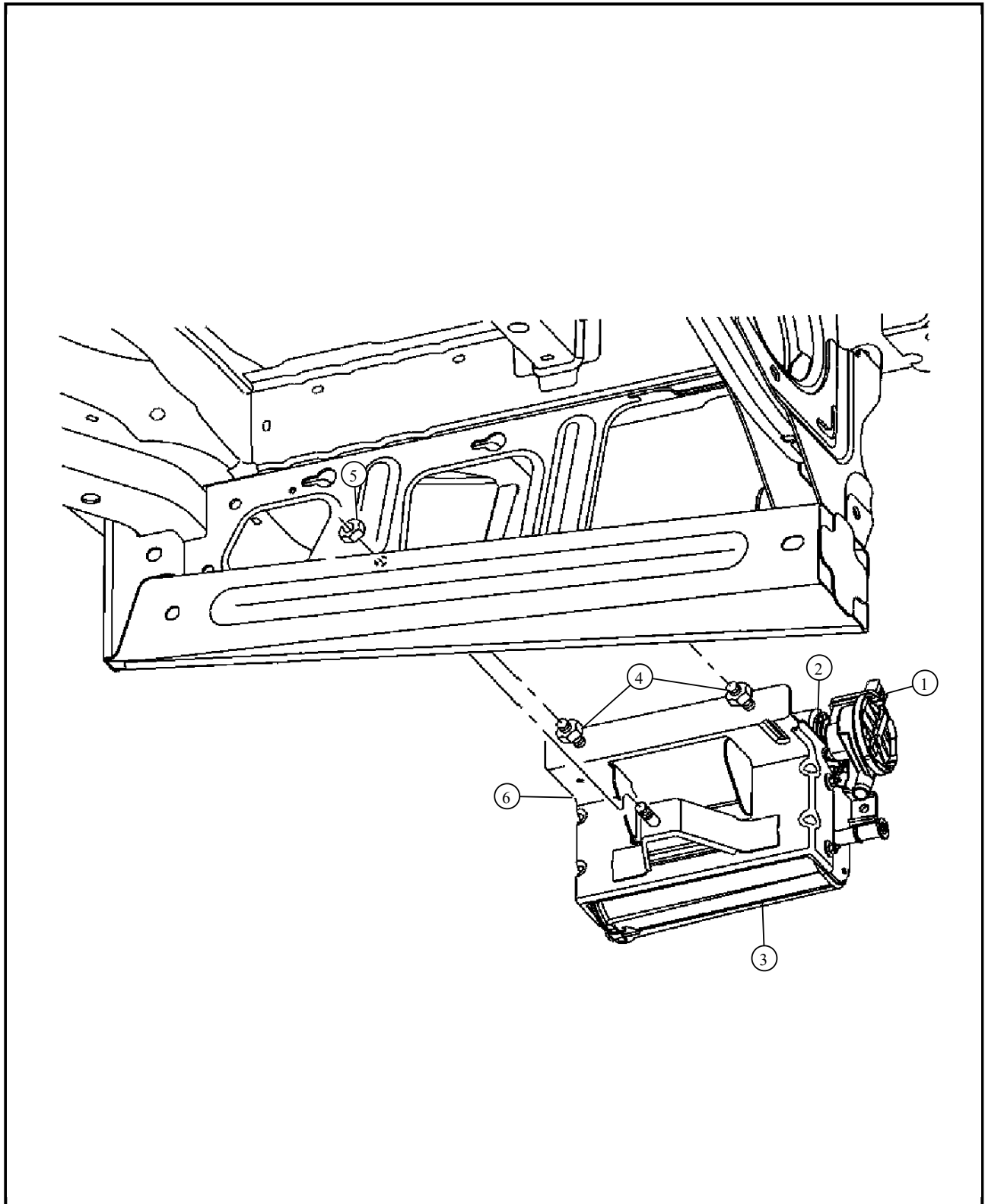


025 - Emission Controls/300 - Vacuum Canister/Leak Detection Pump

DESCRIPTION



Item	Description	Part Number	Qty	Supersedence	Tech Tip	Engine	Trans	Line	Body
1	DETECTOR, Evaporative System Integrity Module								
2	SEAL, Vapor canister, Seal								
3	CANISTER, Vapor								
4	NUT AND WASHER, Hex, M6X1.00								
		06104725AA	3	No		EX0			
		06104725AA	2	No					
5	NUT, Hex Flange Lock, M8X1.25								
6	BRACKET, Vapor Canister								
-7	GROMMET								
-8	FILTER, Leak Detection Pump	05085164AA	1	No		EX0			

Note: The item number that is listed in negative(-) indicates there is no illustration available.