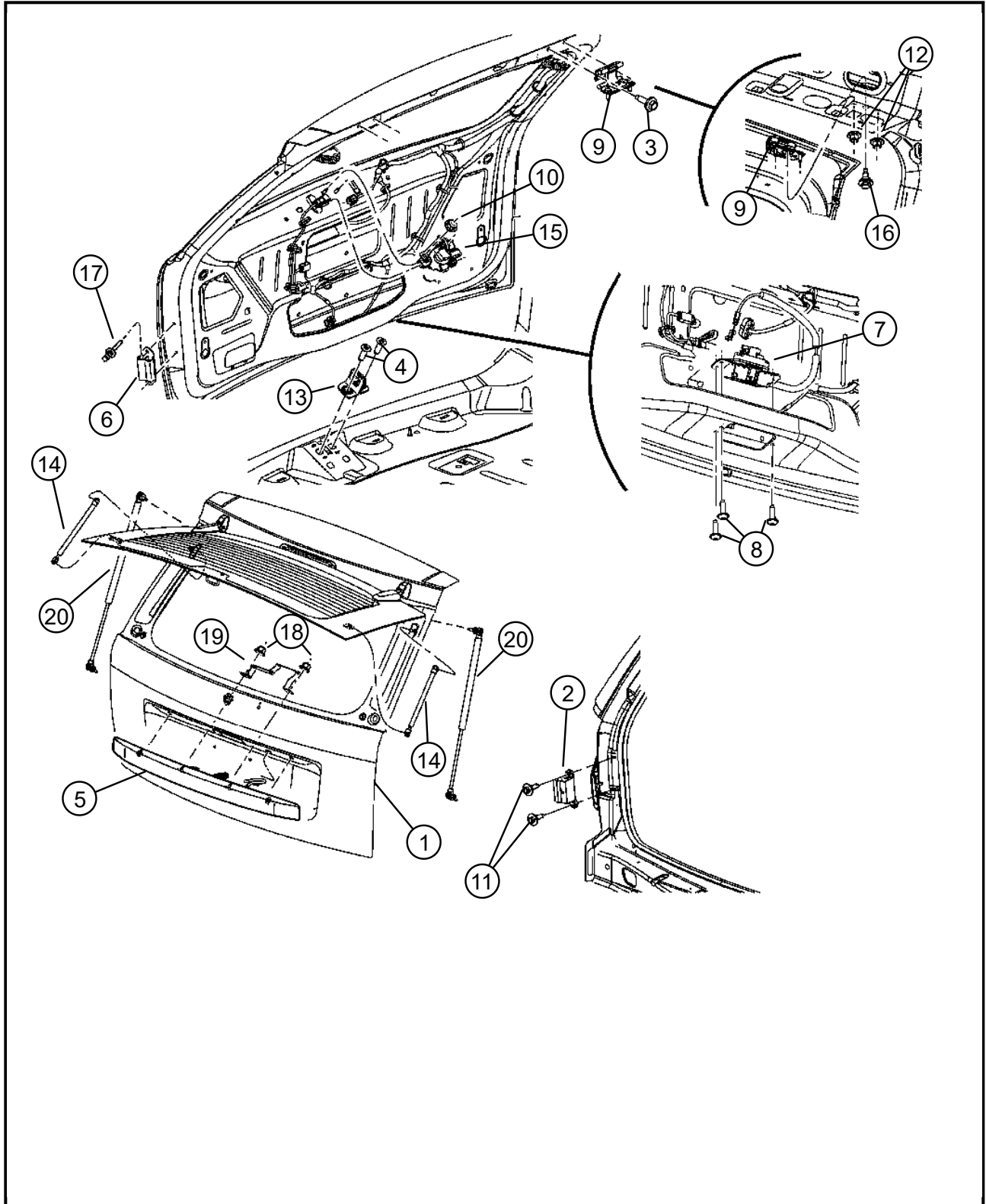




030 - Doors, Door Mirrors and Related Parts/700 - Lift and Tail gates

DESCRIPTION



Item	Description	Part Number	Qty	Supersedence	Tech Tip	Engine	Trans	Line	Body
1	PANEL, Liftgate	55399066AC	1	No					
2	BUMPER, Rubber	55396825AA	2	No					
3	SCREW AND WASHER, Hex Head, M8x1.25x33	06502975	4	No					
4	SCREW, Flange Head, M8x1.25x26	06503533	2	No					
5	HANDLE, Liftgate								
	With Sales Code [MNL]	68020957AA	1	No					
	With Sales Code [MNL]	68020957AA	1	No					
	With Sales Code [MNL]	68020957AA	1	No					
	With Sales Code [MNL]	68020957AA	1	No					
	With Sales Code [MNL]	68020957AA	1	No					
	With Sales Code [MNL]	68020957AA	1	No					
	With Sales Code [MNL]	68020957AA	1	No					
	With Sales Code [MNL]	68020957AA	1	No					
	With Sales Code [MNL]	68020957AA	1	No					
6	BUMPER, Liftgate	04860873AD	2	No					
7	LATCH, Liftgate	04589131AC	1	Yes					
	LATCH	04589131AD	1	Yes					
	LATCH	04589131AE	1	Yes					
	LATCH	04589131AF	1	Yes					
	LATCH	04589131AG	1	Yes					
8	SCREW, LARGE ROUND WASHER HEAD LOCK, M6X1.00X22.00	06508611AA	3	No					

Item	Description	Part Number	Qty	Supersedence	Tech Tip	Engine	Trans	Line	Body
9	HINGE, Liftgate								
		55396772AF	2	No					
		55396772AF	2	No					
10	NUT AND WASHER, Hex Nut-Coned Washer, M6 x 1.00	06503102	2	No					
11	SCREW	06508315AA	4	No					
12	NUT AND WASHER	06101446	4	No					
13	STRIKER, Liftgate	55364520AA	1	No					
14	GAS CYLINDER, Liftgate Glass	68025357AA	2	No					
15	LATCH, Liftgate Glass	55396445AB	1	Yes					
	LATCH	55396445AA	1	Yes					
16	SCREW, Tap, M9x1.25x26	06503478	AR	No					
17	RIVET, Blind, .250 x .660								
18	NUT AND WASHER, Hex, M6X1.00	06503856	2	No					
19	BRACKET, LIFTGATE RELEASE CABLE	55396922AB	1	No					
20	SUPPORT, Liftgate Opening								
	Right	68025358AA	1	Yes					
	SUPPORT	68025358AB	1	Yes					
	Left	68025359AA	1	Yes					
	SUPPORT	68025358AB	1	Yes					

Note: The item number that is listed in negative(-) indicates there is no illustration available.