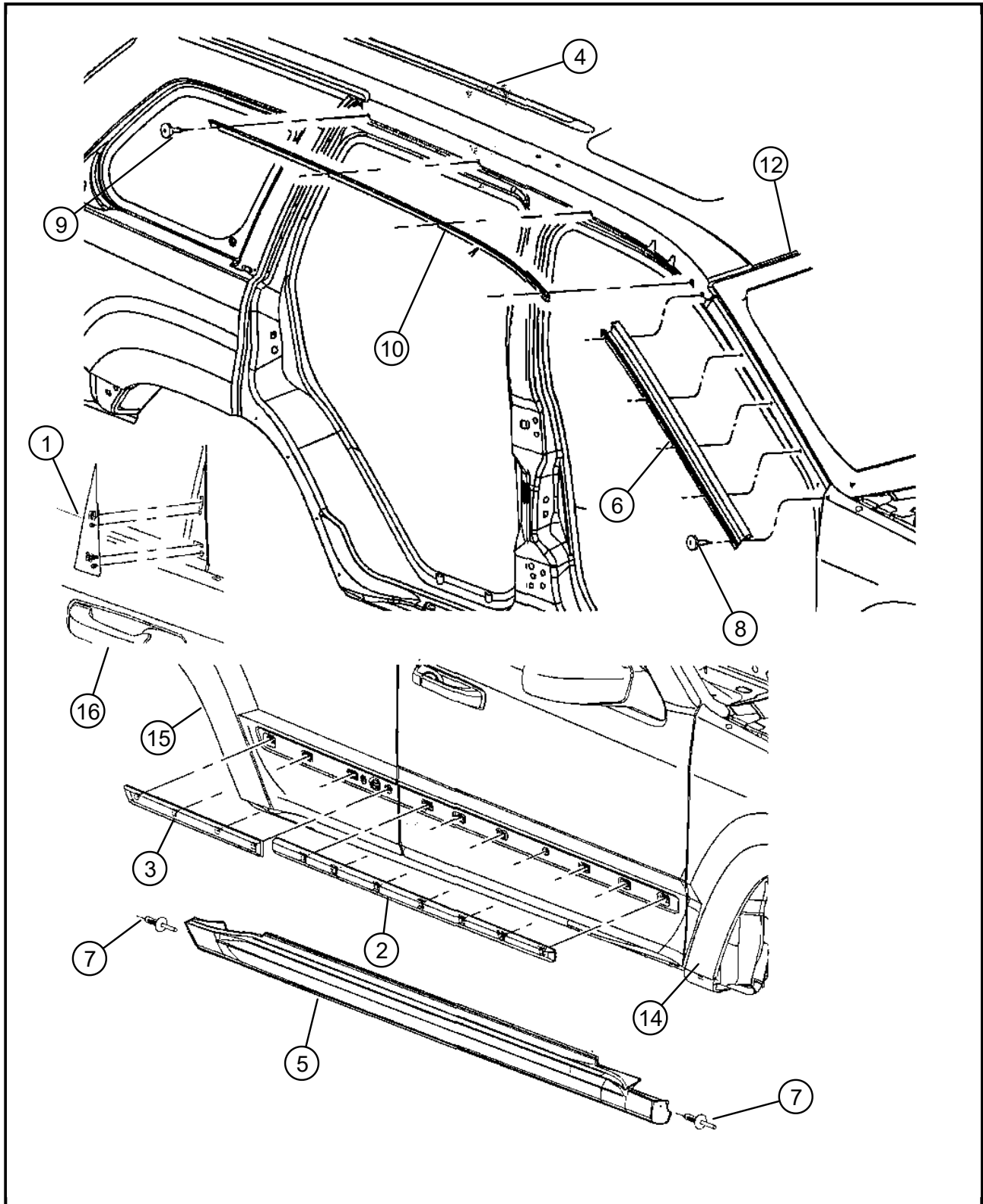


040 - Exterior Ornamentation/200 - Moldings and Ornamentation

DESCRIPTION



Item	Description	Part Number	Qty	Supersedence	Tech Tip	Engine	Trans	Line	Body
1	APPLIQUE, Rear Door								
	Right	55396380AD	1	No					
	Left	55396381AD	1	No					
2	MOLDING, Front Door								
	Right, With Sales Code [MTG]	04806274AA	1	Yes					
	MOLDING	04806274AB	1	Yes					
	Left, With Sales Code [MTG]	04806275AA	1	Yes					
	MOLDING	04806275AB	1	Yes					
3	MOLDING, Rear Door								
	Right, With Sales Code [MTG]	04806272AA	1	No					
	Left, With Sales Code [MTG]	04806273AA	1	No					
4	MOLDING, Roof								
	Left	55157389AA	1	No					
	Right	55157390AA	1	No					
5	MOLDING, Sill Cover								
	Right, [K2]	05030000AC	1	No					
	[K2]	05030001AC	1	No					
	Right, [K7A]	1FC38AXRAA	1	Yes					
	MOLDING	1FC38AXRAB	1	Yes					
	MOLDING	1CA08TZZAB	1	Yes					
	Right, [K7C]	1FC38CDMAA	1	Yes					
	MOLDING	1FC38CDMAB	1	Yes					
	MOLDING	1CA08TZZAB	1	Yes					
	Right, [K7D]	1FC38EBLAA	1	Yes					
	MOLDING	1FC38EBLAB	1	Yes					

Item	Description	Part Number	Qty	Supersedence	Tech Tip	Engine	Trans	Line	Body
	MOLDING	1CA08TZZAB	1	Yes					
	Right, [K7V]	1FC38EGJAA	1	Yes					
	MOLDING	1FC38EGJAB	1	Yes					
	MOLDING	1CA08TZZAB	1	Yes					
	Right, [K7H]	1FC38FFGAA	1	Yes					
	MOLDING	1FC38FFGAB	1	Yes					
	MOLDING	1CA08TZZAB	1	Yes					
	Right, [K7W]	1FC38SW1AA	1	Yes					
	MOLDING	1FC38SW1AB	1	Yes					
	MOLDING	1CA08TZZAB	1	Yes					
	Right, [K7E]	1FC38WS2AA	1	Yes					
	MOLDING	1FC38WS2AB	1	Yes					
	MOLDING	1CA08TZZAB	1	Yes					
	Left, [K7A]	1FC39AXRAA	1	Yes					
	MOLDING	1FC39AXRAB	1	Yes					
	MOLDING	1CA09TZZAB	1	Yes					
	Left, [K7C]	1FC39CDMAA	1	Yes					
	MOLDING	1FC39CDMAB	1	Yes					
	MOLDING	1CA09TZZAB	1	Yes					
	Left, [K7D]	1FC39EBLAA	1	Yes					
	MOLDING	1FC39EBLAB	1	Yes					
	MOLDING	1CA09TZZAB	1	Yes					
	Left, [K7V]	1FC39EGJAA	1	Yes					
	MOLDING	1FC39EGJAB	1	Yes					
	MOLDING	1CA09TZZAB	1	Yes					
	Left, [K7H]	1FC39FFGAA	1	Yes					
	MOLDING	1FC39FFGAB	1	Yes					
	MOLDING	1CA09TZZAB	1	Yes					

Item	Description	Part Number	Qty	Supersedence	Tech Tip	Engine	Trans	Line	Body
	Left, [K7W]	1FC39SW1AA	1	Yes					
	MOLDING	1FC39SW1AB	1	Yes					
	MOLDING	1CA09TZZAB	1	Yes					
	Left, [K7E]	1FC39WS2AA	1	Yes					
	MOLDING	1FC39WS2AB	1	Yes					
	MOLDING	1CA09TZZAB	1	Yes					
	Right, [K5X]	5HU24RXFAB	1	No					
	Left, [K5X]	5HU25RXFAB	1	No					
6	MOLDING, Windshield								
	Right	55394512AB	1	No					
	Left	55394513AB	1	No					
7	RIVET, M6.25x28								
		06500911	6	No					
	Sill to Wheel Opening	06500911	4	No					
8	SCREW, .164-15x.500								
9	SCREW, Tapping	06104566AA	8	No					
10	SEAL, Retainer								
	Right	68025298AA	1	No					
	Left	68025299AA	1	No					
-11	CLIP, Repair, Windshield Molding Attach	05191598AA	4	Yes					
	CLIP	04389815AA	1	Yes					
12	MOLDING, Windshield	55394511AB	1	No					
-13	MOLDING, Wheel Opening Flare								
14	MOLDING, Wheel Opening Flare								

Item	Description	Part Number	Qty	Supersedence	Tech Tip	Engine	Trans	Line	Body
15	MOLDING, Wheel Opening Flare								
16	MOLDING, Wheel Opening Flare								
-17	MOLDING, Wheel Opening Flare								

Note: The item number that is listed in negative(-) indicates there is no illustration available.