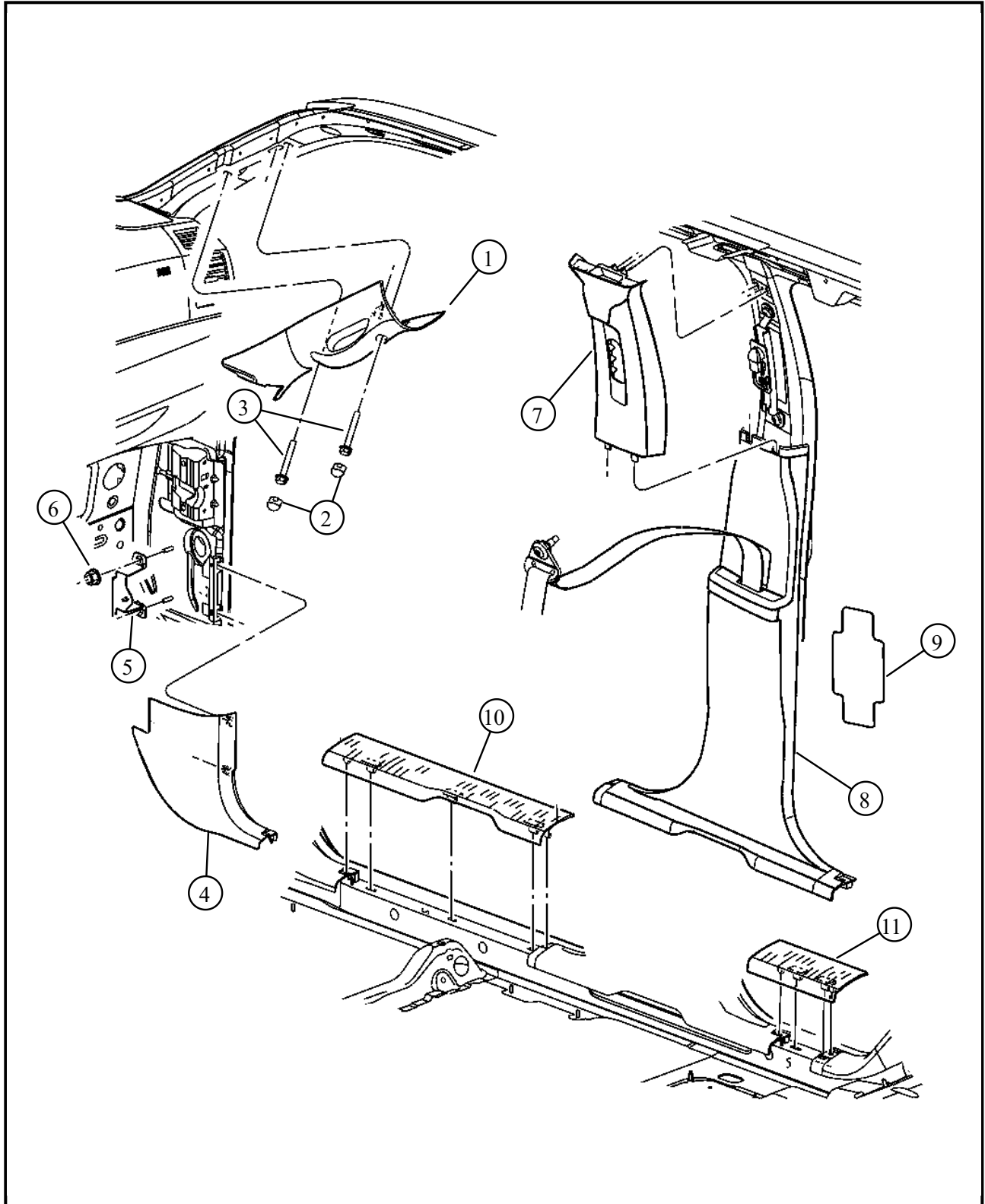


050 - Interior Trim/200 - Panels-Moldings-Scuff Plates, Pillar, Cowl, 1/4 Panel Trim and Cargo Covers

DESCRIPTION



Item	Description	Part Number	Qty	Supersedence	Tech Tip	Engine	Trans	Line	Body
1	MOLDING, A PILLAR								
	Right	5HS26BDXAJ	1	Yes					
	PANEL	5HS26BDXAM	1	Yes					
	MOLDING	5HS26BDXAN	1	Yes					
	Left	5HS27BDXAJ	1	Yes					
	PANEL	5HS27BDXAM	1	Yes					
	MOLDING	5HS27BDXAN	1	Yes					
2	PLUG, A Pillar Garnish	1AV83BDXAA	1	No					
3	SCREW, Trim	06105043AA	4	No					
4	PANEL, Cowl Side Trim								
	Left, [DV]	1CL27XDVAB	1	Yes					
	PANEL	1CL27XDVAC	0	Yes					
	PANEL	1CL27XDVAD	1	Yes					
	Right, [DV]	5HQ14XDVAH	1	Yes					
	PANEL	5HQ14XDVAI	0	Yes					
	PANEL	5HQ14XDVAJ	1	Yes					
5	BRACKET, Cowl	55352902AD	1	Yes					
	BRACKET	55352902AE	1	Yes					
6	NUT	06503825	2	No					
7	MOLDING, B Pillar, Upper								
	Right	5KU68BDXAA	1	Yes					
	MOLDING	5KU68BDXAB	1	Yes					
	Left	5KU69BDXAA	1	Yes					
	MOLDING	5KU69BDXAB	1	Yes					
8	PANEL, B Pillar Lower Trim								
	Right, [DV]	5HQ10XDVAG	1	Yes					

Item	Description	Part Number	Qty	Supersedence	Tech Tip	Engine	Trans	Line	Body
	PANEL	5HQ10XDVAH	1	Yes					
	Left, [DV]	5HQ11XDVAG	1	Yes					
	PANEL	5HQ11XDVAH	1	Yes					
9	SHIELD, Seat Belt Retractor	55116545AC	2	No					
10	SILL COVER, Interior, Front								
	Right, [DV]	5JQ20XDVAB	1	Yes					
	SILL COVER	5JQ20XDVAC	0	Yes					
	Left, [DV]	5JQ21XDVAB	1	Yes					
	SILL COVER	5JQ21XDVAC	0	Yes					
11	SILL COVER, Interior, Rear	5JX64XDVAB	2	Yes					
	SILL COVER	5JX64XDVAC	1	Yes					

Note: The item number that is listed in negative(-) indicates there is no illustration available.