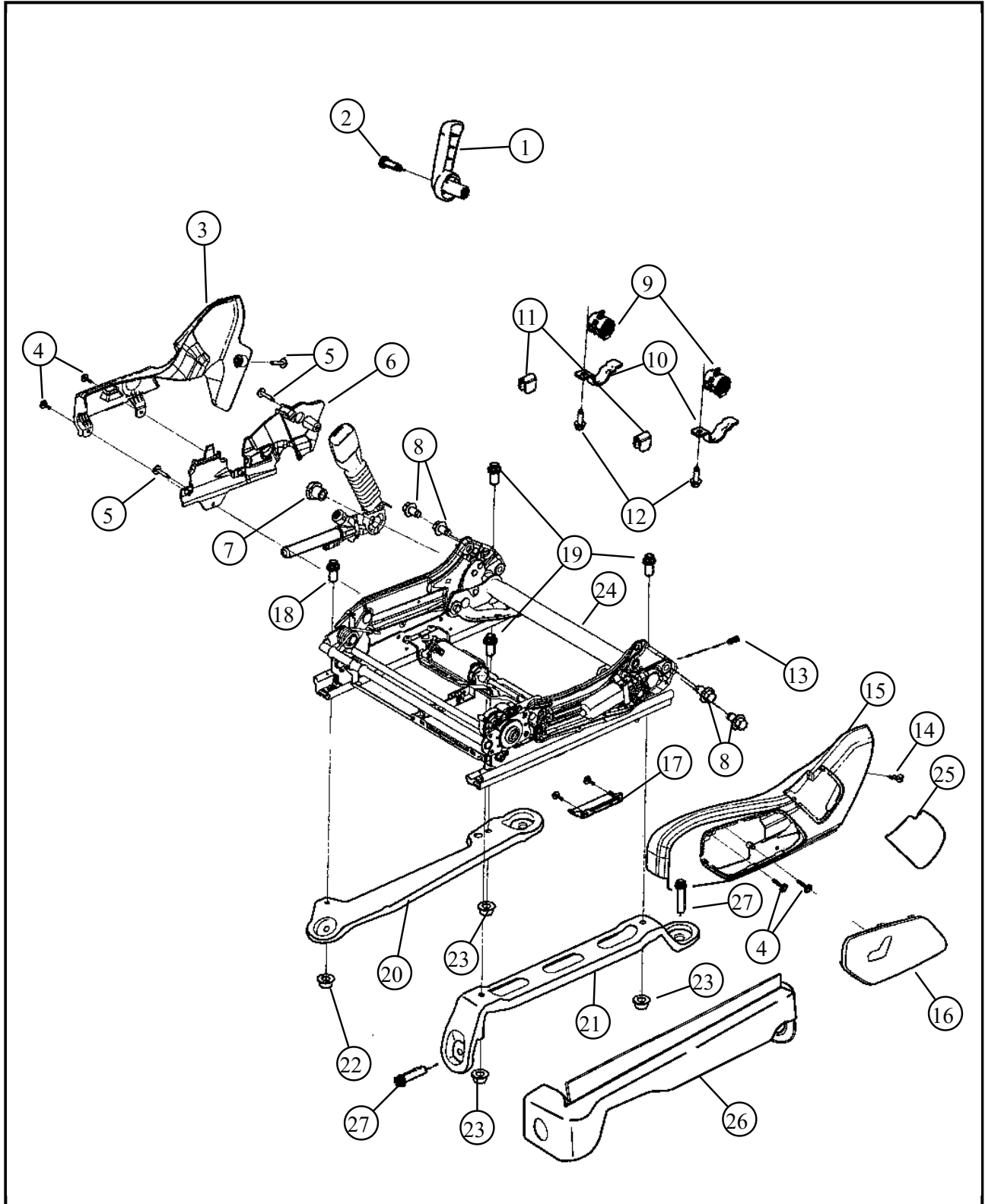




050 - Interior Trim/900 - Front Seats - Adjusters, Recliners, Shields and Risers

DESCRIPTION



Item	Description	Part Number	Qty	Supersedence	Tech Tip	Engine	Trans	Line	Body
1	HANDLE, Lumbar								
		1BG531UYAA	2	Yes					
	HANDLE	1BG531DVAA	0	Yes					
	[D1]	1BG531DVAA	1	No					
		1BG531D1AA	2	No					
2	SCREW								
3	SHIELD, Seat Adjuster								
		1BG391UYAA	1	Yes					
	SHIELD	1BG39XDVAA	0	Yes					
	SHIELD	1BG391DVAA	0	Yes					
		1BG391DVAA	1	No					
	[DV]	1BG391D1AA	1	No					
4	SCREW, Seat	05143453AA	4	No					
5	SCREW, Seat	05143452AA	4	No					
6	PLATE, Front Seat								
		1BG581UYAA	1	Yes					
	PLATE	1BG58XDVAA	0	Yes					
	[DV]	1BG58XDVAA	1	No					
		1BG581DVAA	1	No					
		1BG581D1AA	1	No					
		1BG591UYAA	1	Yes					
	PLATE	1BG59XDVAA	0	Yes					
		1BG591DVAA	1	No					
		1BG591D1AA	1	No					
7	NUT, Tube	05143449AA	2	No					
8	BOLT, Seat	05139629AA	8	No					
9	SPACER, Hinge	05139656AA	2	No					

Item	Description	Part Number	Qty	Supersedence	Tech Tip	Engine	Trans	Line	Body
10	CLAMP, Seat	05139657AA	2	No					
11	LIMITER, Seat Track Travel	05139661AA	4	No					
12	BOLT	05139628AA	10	No					
13	SCREW, Seat	05143447AA	1	No					
14	SCREW, Seat	05143452AA	4	No					
15	SHIELD, Seat Adjuster								
		1BG381UYAA	1	Yes					
	SHIELD	1BG38XDVAA	0	Yes					
	SHIELD	1BG381DVAA	0	Yes					
		1BG38XDVAA	1	Yes					
	SHIELD	1BG381DVAA	0	Yes					
		1BG381D1AA	1	No					
	[J3]	1BG391UYAA	1	Yes					
	SHIELD	1BG39XDVAA	0	Yes					
	SHIELD	1BG391DVAA	0	Yes					
	[DV], Left Seat Outboard	1BG391DVAA	1	No					
		1BG391D1AA	1	No					
	[DV]	1BG381DVAA	1	No					
16	BEZEL								
		1BG441UYAA	1	Yes					
	BEZEL	1BG44XDVAA	0	Yes					
	BEZEL	1BG441DVAA	0	Yes					
	[DV], Right Hand Drive	1BG44XDVAA	1	Yes					
	BEZEL	1BG441DVAA	0	Yes					
		1BG441DVAA	1	No					
		1BG44BDDAA	1	Yes					

Item	Description	Part Number	Qty	Supersedence	Tech Tip	Engine	Trans	Line	Body
	BEZEL	1BG441D1AA	0	Yes					
		1BG451UYAA	1	Yes					
	BEZEL	1BG45XDVAA	0	Yes					
	BEZEL	1BG451DVAA	0	Yes					
		1BG451DVAA	1	No					
		1BG451D1AA	1	No					
	[DV]	1BG45XDVAA	1	Yes					
	BEZEL	1BG451DVAA	0	Yes					
17	BRACKET, Seat	05143422AA	1	No					
18	BOLT, Seat	05143441AA	1	No					
19	BOLT, Seat	05143440AA	3	No					
20	RISER, Seat, Inboard	05143416AA	1	No					
21	RISER, Seat, Outboard	05143414AA	1	No					
22	NUT, Seat	05143448AA	1	No					
23	NUT, Seat	05143448AA	1	No					
24	ADJUSTER, Power Seat	68020713AA	1	Yes					
	ADJUSTER	05138981AA	1	Yes					
25	SHIELD, Seat Adjuster								
	[DV], Right Hand Drive	5KD26XDVAA	1	No					
	[DV]	5KD27XDVAA	1	No					
26	COVER, Seat Track								
	Right Hand Drive	1BU241UYAA	1	Yes					
	COVER	1BU24XDVAA	0	Yes					
	COVER	1BU241DVAA	0	Yes					
	Right Hand Drive, [DV]	1BU24XDVAA	1	Yes					

Item	Description	Part Number	Qty	Supersedence	Tech Tip	Engine	Trans	Line	Body
	COVER	1BU241DVAA	0	Yes					
	Right Hand Drive, [DV]	1BU241DVAA	1	No					
	Right Hand Drive	1BU241D1AA	1	No					
		1BU251UYAA	1	Yes					
	COVER	1BU251DVAA	0	Yes					
	[DV]	1BU251DVAA	1	No					
27	BOLT, Hex Head, M10x1.50x35.00								
		06508286AA	2	No		EX0			
		06508286AA	8	No					

Note: The item number that is listed in negative(-) indicates there is no illustration available.