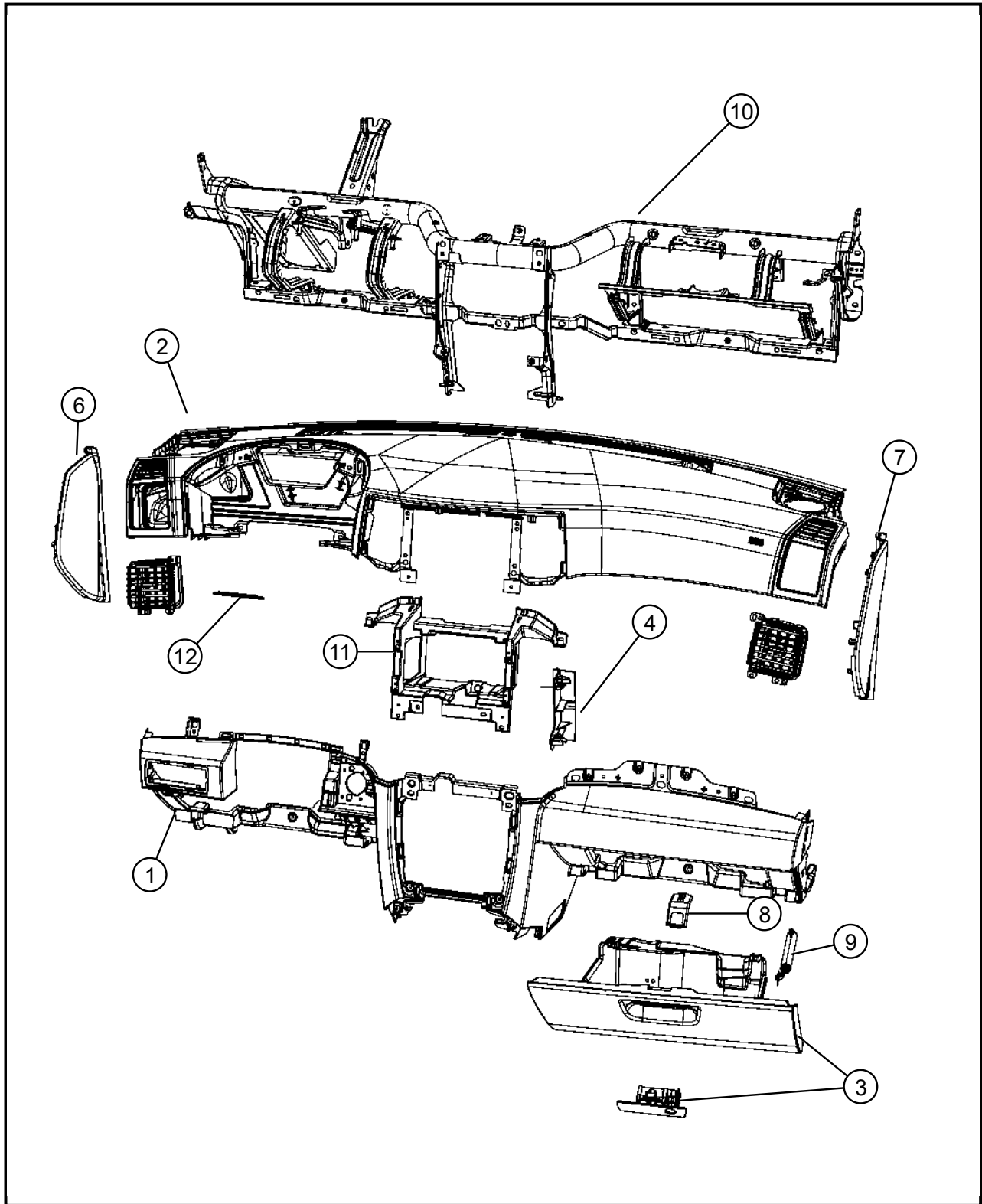


050 - Interior Trim/1700 - Instrument Panel

DESCRIPTION



Item	Description	Part Number	Qty	Supersedence	Tech Tip	Engine	Trans	Line	Body
1	PANEL, Instrument Lower	1DS70XDVAD	1	Yes					
	PANEL	1DS70XDVAE	0	Yes					
2	PANEL, Instrument Upper	1DE871DVAD	1	Yes					
	PANEL	1DE871DVAE	0	Yes					
	PANEL	1DE871DVAF	1	Yes					
	PANEL	1DE871DVAG	1	Yes					
3	GLOVE BOX, Instrument Panel	1EJ321DVAE	1	Yes					
	GLOVE BOX	1EJ321DVAF	1	Yes					
4	BRACKET, Instrument Panel	55116622AB	2	No					
-5	BRACKET, Module								
6	CAP, Instrument Panel End	5HS95XDVAM	1	Yes					
	CAP	5HS95XDVAN	1	Yes					
7	CAP, Instrument Panel End	5HU58XDVAM	1	No					
8	STRIKER, Glove Box Door Latch	55116991AC	1	No					
9	DAMPENER, Glove Box Door	55117034AC	1	Yes					
	DAMPENER	55117034AD	1	Yes					
10	REINFORCEMENT, Instrument Panel								
11	BRACKET, Radio	55117070AC	1	Yes					
	BRACKET	55117070AD	1	Yes					
	BRACKET	55117070AE	1	Yes					
12	PROTECTOR, Wiring	55117106AB	1	No					

Note: The item number that is listed in negative(-) indicates there is no illustration available.